

BORG HANGER
A DIVISION OF VALOR COMPANY, INC.

100 EAST STATE STREET
BELLE PLAINE, MN 56011

(800) 373-2674
INFO@BORGHANGER.COM

SERIAL NUMBER: _____

N/A

DATE ISSUED: _____

05/10/04

NOTES: _____

SPECIFICATIONS AND STANDARDS

- AISC MANUAL OF STEEL CONSTRUCTION, 9TH EDITION.
- AWS STRUCTURAL WELDING CODE - STEEL, D1.1-94.
- 29 CFR 1926 - OSHA SAFETY AND HEALTH STANDARDS

ALLOWABLE LOADS

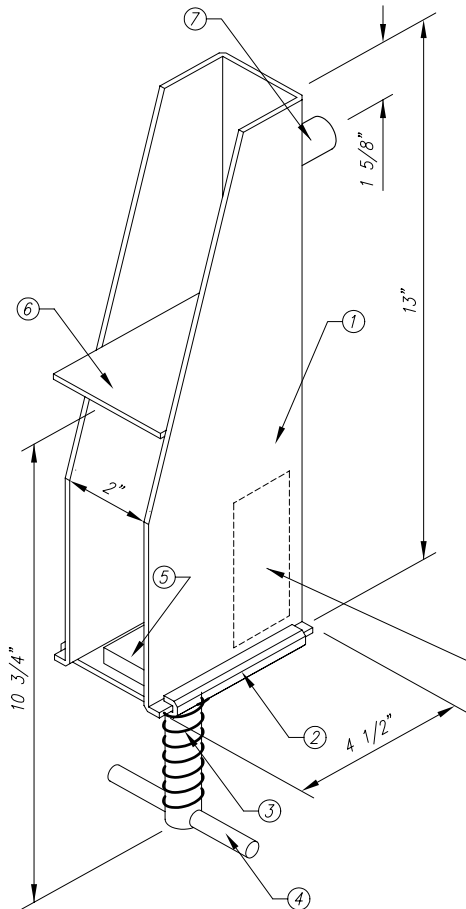
FORM WEIGHT AND CONCRETE ONLY 2500 LBS.
(PROVIDES 2 TO 1 FACTOR OF SAFETY
AGAINST ULTIMATE STRENGTH)

FORM WGT., CONCRETE, CONSTRUCTION
LIVE LOADS AND IMPACT 1650 LBS.
(PROVIDES 3 TO 1 FACTOR OF SAFETY
AGAINST ULTIMATE STRENGTH)

STRUCTURAL NOTES

1. ALL STRUCTURAL STEEL SHALL CONFORM TO THE REQUIREMENTS OF ASTM A1011 (EQUAL OR BETTER).
2. ALL STEEL SHALL BE FREE OF CRACKS, HOLES, DEFORMATIONS, WELDMENTS AND ANY OTHER DEFECT WHICH MAY JEOPORDIZE THE STRUCTURAL INTEGRITY OF THE MEMBER.
3. ALL WELDING SHALL BE PERFORMED IN ACCORDANCE WITH THE LATEST SPECIFICATIONS OF THE AMERICAN WELDING SOCIETY (AWS).
4. ALL SHOP WELDING SHALL BE E70XX.
5. THIS DRAWING IS INTENDED ONLY TO PROVIDE GENERAL CONFIGURATION AND RATING FOR THIS HANGER ONLY. NOT FOR CONSTRUCTION.

GRAPHICAL DESCRIPTION: _____



1. BODY
10 GAUGE STEEL PLATE
2. SLIDE
10 GAUGE STEEL PLATE
3. COIL ROD (SCREW JACK)
3/4" COIL ROD w/ 4 1/2 THDS/IN
10 1/4" LONG
4. HANDLE
3/8" STEEL ROUND STOCK - 4" LONG
5. COIL BLOCK
3" x 1 1/2" - 1/2" STEEL BAR
w/ 0.656" DIA. HOLE PUNCHED IN CENTER
SPOT WELDED TO SLIDE
6. BEARING PLATE
4" x 1 7/8" - 3/16" STEEL BAR
7. DOWEL
3/4" DIA. STEEL BAR - 1 1/2" LONG
WELDED TO BODY



WWW.BORGHANGER.COM
800-373-2674

ALL BORG MANUFACTURED HANGERS SHALL
BE STAMPED WITH THIS LOGO.

PREPARED BY: _____

SHEET TITLE: _____

LICENSURE: _____



PROJECT ENGINEERING & MANAGEMENT, INC.
ENGINEERS • ANALYSTS • SCIENTISTS • EDUCATORS

366 JACKSON STREET, SUITE 300
SAINT PAUL, MINNESOTA 55101-1975
PHONE: (651) 209-1167 FAX: (651) 209-1168
www.projecteng.com

BORG ADJUSTABLE JOIST HANGER
WIDE DOWEL HANGER

I HEREBY CERTIFY THAT THIS PLAN WAS
PREPARED BY ME OR UNDER MY DIRECT
SUPERVISION AND THAT I AM A DULY
REGISTERED PROFESSIONAL ENGINEER
UNDER THE LAWS OF THE STATE OF
MINNESOTA.

DATE _____ REG. NO. _____