

**BORG HANGER**  
A DIVISION OF VALOR COMPANY, INC.

100 EAST STATE STREET  
BELLE PLAINE, MN 56011

(800) 373-2674  
INFO@BORGHANGER.COM

SERIAL NUMBER:

N/A

DATE ISSUED:

05/10/04

NOTES:

SPECIFICATIONS AND STANDARDS

- AISC MANUAL OF STEEL CONSTRUCTION, 9TH EDITION.
- AWS STRUCTURAL WELDING CODE - STEEL, D1.1-94.
- 29 CFR 1926 - OSHA SAFETY AND HEALTH STANDARDS

ALLOWABLE LOADS

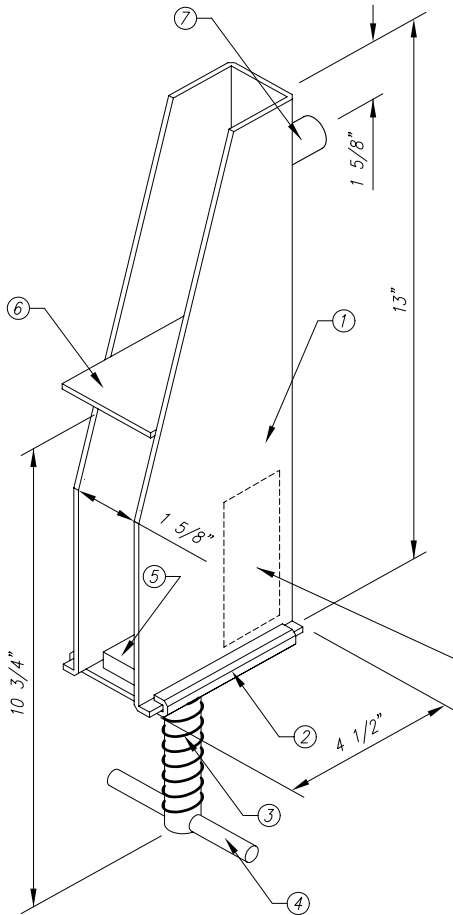
FORM WEIGHT AND CONCRETE ONLY                      3000 LBS.  
(PROVIDES 2 TO 1 FACTOR OF SAFETY  
AGAINST ULTIMATE STRENGTH)

FORM WGT., CONCRETE, CONSTRUCTION  
LIVE LOADS AND IMPACT                                      2000 LBS.  
(PROVIDES 3 TO 1 FACTOR OF SAFETY  
AGAINST ULTIMATE STRENGTH)

STRUCTURAL NOTES

1. ALL STRUCTURAL STEEL SHALL CONFORM TO THE REQUIREMENTS OF ASTM A1011 (EQUAL OR BETTER).
2. ALL STEEL SHALL BE FREE OF CRACKS, HOLES, DEFORMATIONS, WELDMENTS AND ANY OTHER DEFECT WHICH MAY JEOPORDIZE THE STRUCTURAL INTEGRITY OF THE MEMBER.
3. ALL WELDING SHALL BE PERFORMED IN ACCORDANCE WITH THE LATEST SPECIFICATIONS OF THE AMERICAN WELDING SOCIETY (AWS).
4. ALL SHOP WELDING SHALL BE E70XX.
5. THIS DRAWING IS INTENDED ONLY TO PROVIDE GENERAL CONFIGURATION AND RATING FOR THIS HANGER ONLY. NOT FOR CONSTRUCTION.

GRAPHICAL DESCRIPTION:



1. BODY  
10 GAUGE STEEL PLATE
2. SLIDE  
10 GAUGE STEEL PLATE
3. COIL ROD (SCREW JACK)  
3/4" COIL ROD w/ 4 1/2 THDS/IN  
10 1/4" LONG
4. HANDLE  
3/8" STEEL ROUND STOCK - 4" LONG
5. COIL BLOCK  
3" x 1 1/2" - 1/2" STEEL BAR  
w/ 0.656" DIA. HOLE PUNCHED IN CENTER  
SPOT WELDED TO SLIDE
6. BEARING PLATE  
4" x 1 1/2" - 3/16" STEEL BAR
7. DOWEL  
3/4" DIA. STEEL BAR - 1 1/2" LONG  
WELDED TO BODY



WWW.BORGHANGER.COM  
800-373-2674

ALL BORG MANUFACTURED HANGERS SHALL  
BE STAMPED WITH THIS LOGO.

PREPARED BY:

SHEET TITLE:

LICENSURE:



**PROJECT ENGINEERING & MANAGEMENT, INC.**  
ENGINEERS • ANALYSTS • SCIENTISTS • EDUCATORS

366 JACKSON STREET, SUITE 300  
SAINT PAUL, MINNESOTA 55101-1975  
PHONE: (651) 209-1167 FAX: (651) 209-1168  
www.projecteng.com

BORG ADJUSTABLE JOIST HANGER  
DOWEL HANGER

I HEREBY CERTIFY THAT THIS PLAN WAS  
PREPARED BY ME OR UNDER MY DIRECT  
SUPERVISION AND THAT I AM A DULY  
REGISTERED PROFESSIONAL ENGINEER  
UNDER THE LAWS OF THE STATE OF  
MINNESOTA.

DATE \_\_\_\_\_ REG. NO. \_\_\_\_\_